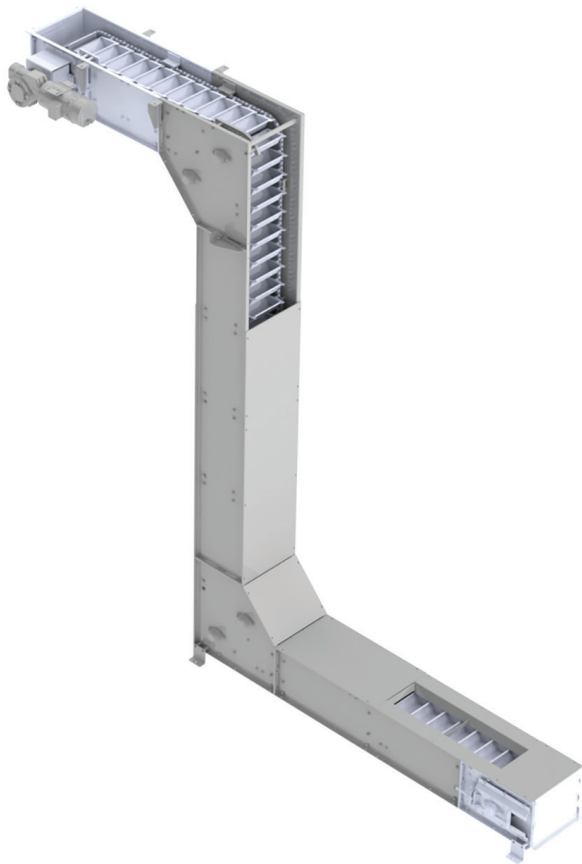


BUCKET ELEVATOR

HIGH VOLUME, VERTICAL CONVEYING



The Bucket Elevator conveyor elevates your product to the next step in your food processing line in a tight footprint. Its overlapping V-style buckets securely contain product and gently convey it without breakage or loss. A variety of configurations, capacities, discharge points, and bucket options ensure the Bucket Elevator can be customized specifically to your application and process.

- Horizontal, S, C or Z-shape configurations
- Available with multiple discharges for additional layout flexibility
- Capacity ranging from 135-3780 cubic feet per hour
- Easy access buckets with quick, tool-less changeouts

COMMON FOOD APPLICATIONS



BAKERY



CANDY



CEREAL



FRESH PRODUCE



FROZEN



NUTS



PASTA



PET FOOD



SNACK FOOD



BUCKET ELEVATOR

FEATURES + SPECS

Key details to help you decide if the Bucket Elevator is right for your operation.

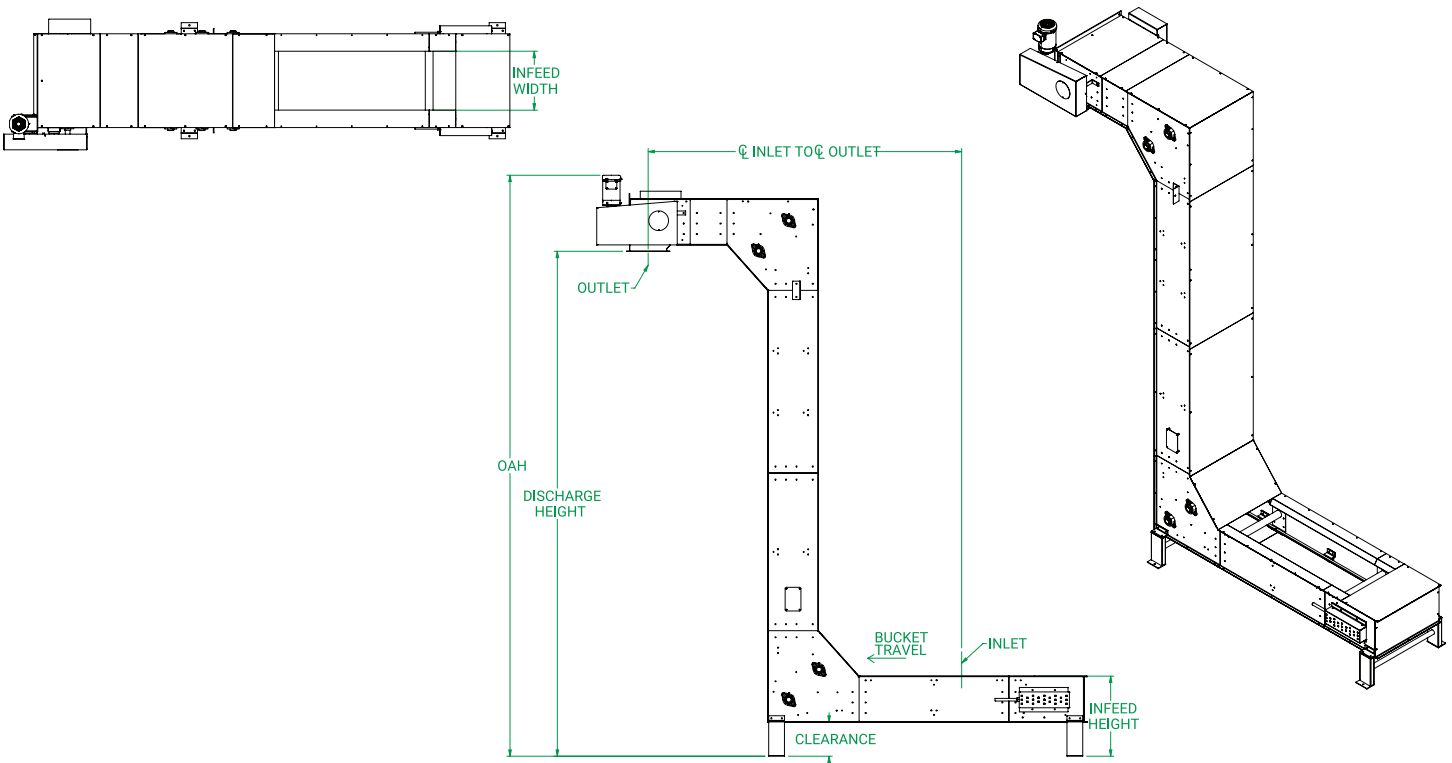
- Horizontal, S, C or Z-shape configurations
- V-style overlapping buckets
- Buckets: polycarbonate, polyethylene, stainless steel
- Chains: mild steel standard, stainless and Hydro-Service optional
- V-style, overlapping buckets

- Flow rates: 135-3780 cubic feet per hour
- Bucket Widths: 6-48" (152-1219 mm)
- Height: width and application dependent
- Electrical: 460/230V 60 Hz 3Phase

OPTIONS

Additional equipment options to customize the Bucket Elevator precisely to your application.

- Positive controls
- Open tubular or closed casing frames
- Stainless or mild steel construction
- Low, Medium, and High Capacity models
- Multiple discharges
- Buckets: standard, ribbed, color, metal-detectable
- Options: CIP system, slide-out catch pans



This drawing contains confidential information is the exclusive property of the J.E. Grote Co. Neither this document, nor its contents, are to be used, reproduced or disclosed in whole or in part without the express written permission of the J.E. Grote Co. Copyright 2022, J.E. Grote Company, Inc.

03.23v2

CONTACT US

Ready to get started on your configuration? Contact us to customize the Bucket Elevator to your application, layout, and processes.



To feed our growing world - Together
sales@pfi-conveyors.com
pfi-conveyors.com