

# ELEVEYOR

ELEVATE PRODUCTION TO NEW HEIGHTS



The Eleveyor incline belt conveyor fits in tight spaces where you need to elevate your food processing line. Its positive drive system and self-tracking belt keep your product and operation moving. A variety of configurations and belt options ensure the Eleveyor can be customized specifically to your application and process. It's designed for quick, yet thorough washdowns and simple maintenance.

- Horizontal, incline and S or Z-shape (gooseneck) configurations
- Custom dimensions precisely for your application
- Positive drive, self-tracking belt system
- Adjustable and easy pivot side guides
- Food-grade sanitary design with open frame and belt lifts for tool-less washdowns

## COMMON FOOD APPLICATIONS



BAKERY



CANDY



CEREAL



FRESH PRODUCE



FROZEN



MEAT



NUTS



PASTA



PET FOOD



READY-TO-EAT



SNACK FOOD



# ELEVEYOR

## FEATURES + SPECS

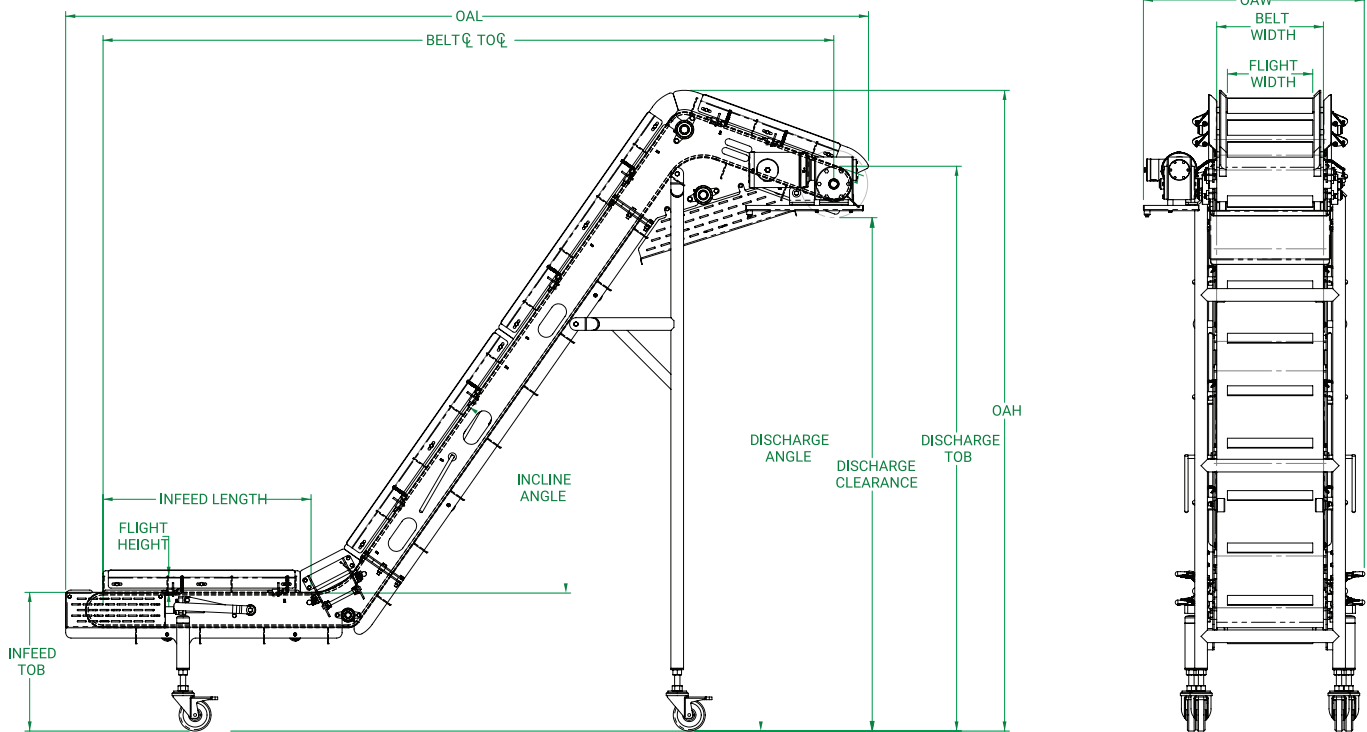
Key details to help you decide if the Eleveyor is right for your operation.

- Positive drive system
- 25" stainless steel construction
- Adjustable, folding side guards
- Quick release or threaded take ups
- Angle: 5 to 90 degrees
- Max Speed: 150 FPM
- Width: up to 72" standard
- Height: application dependent
- Electrical: 230/460/575 volt

## OPTIONS

Additional equipment options to customize the Eleveyor precisely to your application.

- Horizontal, incline and S or Z-shape (gooseneck) configurations
- Washdown or RTE sanitation levels
- Belts: positive drive; thermoplastic (TPE, TPU); modular; straight, angled or scoop cleats; corrugated sidewalls
- Manual hand crank crumb catch
- Belt return side CIP Sprayers
- Accessories/complementary: catch/drip pans, infeed hopper, discharge chute



This drawing contains confidential information is the exclusive property of the J.E. Grote Co. Neither this document, nor its contents, are to be used, reproduced or disclosed in whole or in part without the express written permission of the J.E. Grote Co. Copyright 2022, J.E. Grote Company, Inc.

03.23v2

## CONTACT US

Ready to get started on your configuration?  
Contact us to customize the Eleveyor to your application, layout, and processes.



*To feed our growing world - Together*  
sales@pfi conveyors.com  
pfi conveyors.com