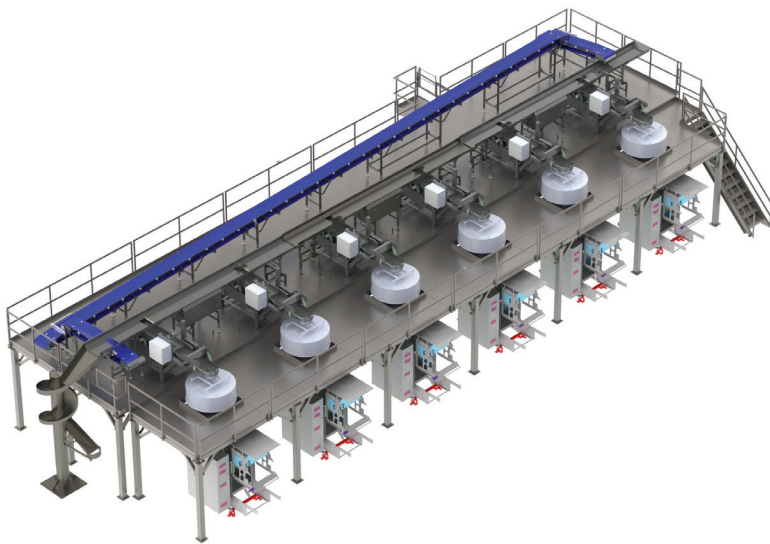


DISTRIBUTION CONVEYOR SYSTEM

ACCURATELY & CONSISTENTLY FEED
MULTIPLE DISCHARGE POINTS



The Distribution Conveyor System allows processors to increase production and efficiency by feeding multiple processes from one system. Its vibratory conveyor moves product to feed each discharge point, with optional pneumatic gates ensuring standard flow to each with no starvation. Its stainless steel construction and solid pans allow for quick, yet thorough cleaning.

- Accumulate bulk product, then control flow to each downstream point
- Vibratory conveyors and scale feeders ensure accurate, consistent flow
- Configure the discharge points precisely to your application
- Precise controls ensure accurate weights and provide instant start/stop
- Food-grade sanitary design with stainless steel construction

COMMON FOOD APPLICATIONS



BAKERY



CEREAL



DAIRY



FRESH PRODUCE



FROZEN



MEAT



NUTS



PASTA



PET FOOD



SNACK FOOD



DISTRIBUTION CONVEYOR SYSTEM

FEATURES + SPECS

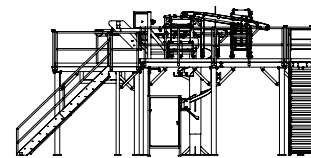
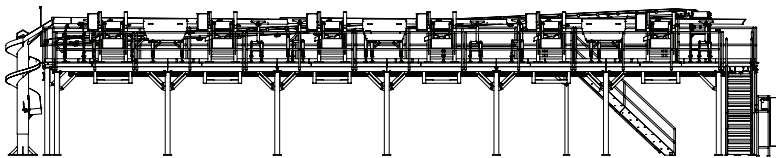
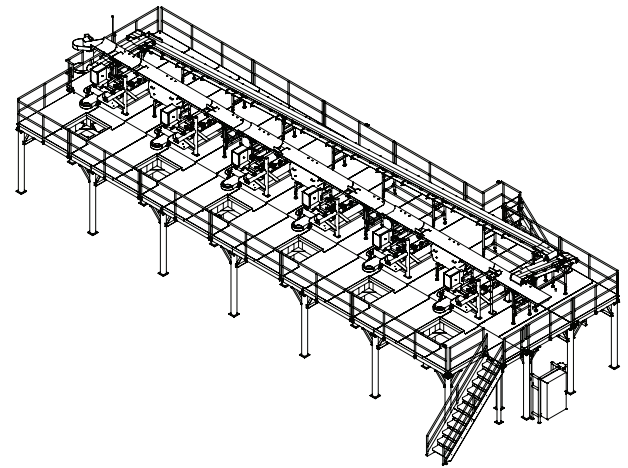
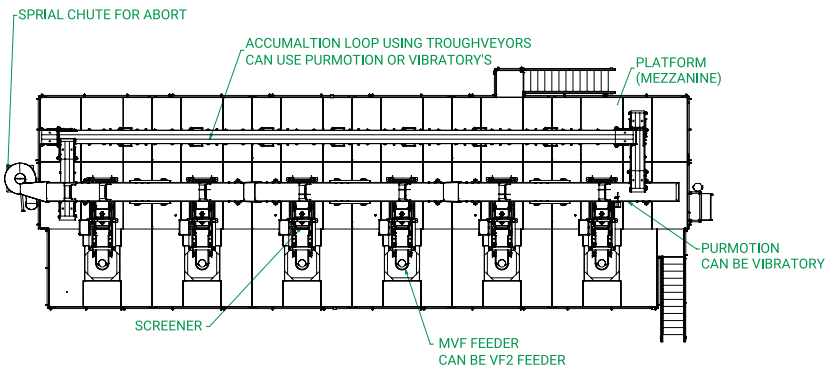
Key details to help you decide if the Distribution System is right for your operation.

- Stainless steel construction
- Vibratory conveyors, scale feeders

OPTIONS

Additional equipment options to customize the Distribution System precisely to your application. .

- Floor or ceiling mounted
- Pneumatic gates
- Horizontal motion conveying available



This drawing contains confidential information is the exclusive property of the J.E. Grote Co. Neither this document, nor its contents, are to be used, reproduced or disclosed in whole or in part without the express written permission of the J.E. Grote Co. Copyright 2022, J.E. Grote Company, Inc.

07.23v2

CONTACT US

Ready to get started on your configuration?
Contact us to customize the Distribution Conveyor System to your application, layout, and processes.



To feed our growing world - Together
sales@pficonveyors.com
pficonveyors.com